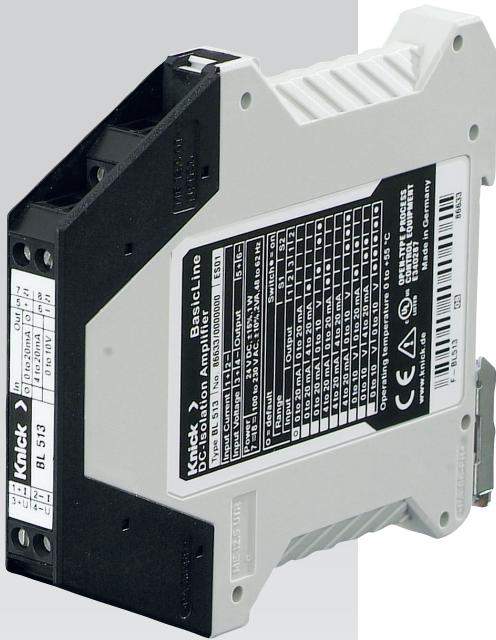


Isolators for Standard Signals



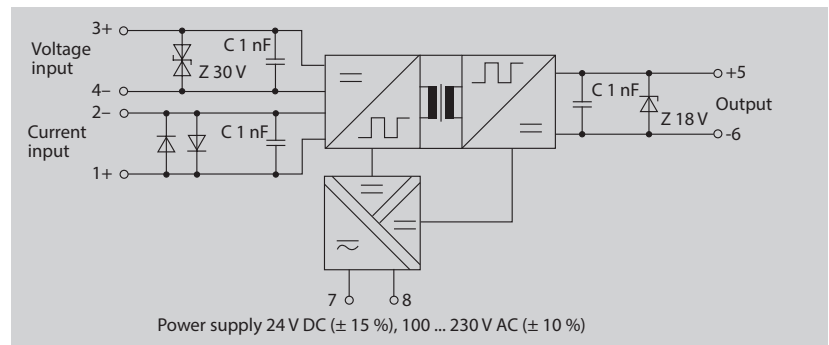
BasicLine BL 513

The mains-powered isolator for standard signals

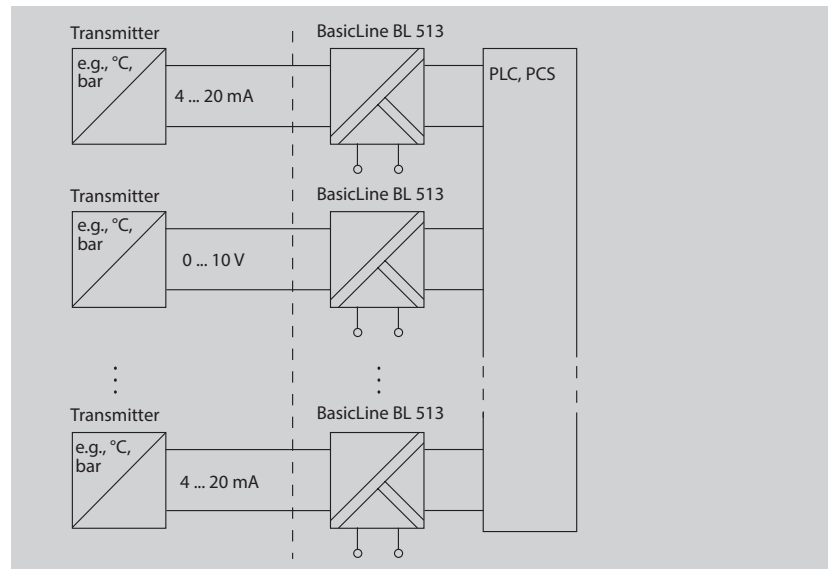
Facts

- Universal power adapter for 24 V DC supply or 100 ... 230 V mains supply
- Galvanic 3-port isolation prevents measurement errors
- Exemplary signal transmission for standard applications
- Conversion of one standard signal to another one, as required
- Calibrated range selection without complicated manual adjustments
- Easy configuration using DIP switches – protected against accidental adjustment
- CE compliant and UL approved
- 3-year warranty
- Perfect price-performance ratio

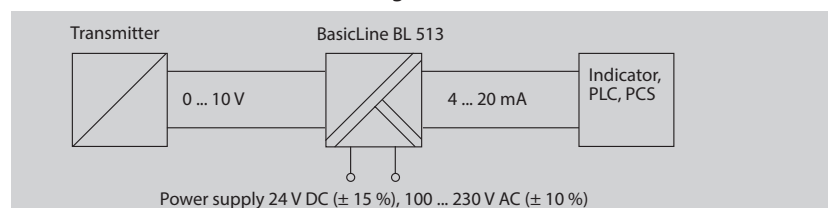
Block Diagram



Reliable Measurement due to Galvanic Isolation Between Field Level and Control Level



Signal Conversion, e.g. Voltage to Current, for Interference-Free Transmission over Long Distances



Input ranges	Output	Power supply
0 ... 20 mA	0 ... 20 mA	24 V DC or
4 ... 20 mA	4 ... 20 mA	100 ... 230 V AC mains supply
0 ... 10 V	0 ... 10 V	

Product Line

Device	Input	Output	Order No.
BasicLine BL 513 with calibrated switching of input and output	0 ... 20 mA 4 ... 20 mA 0 ... 10 V	0 ... 20 mA 4 ... 20 mA 0 ... 10 V	BL 513

Specifications

Input

Voltage	0 ... 20 mA, 4 ... 20 mA, 0 ... 10 V calibrated switching	
Input resistance	Current input	approx. 500 mV at 20 mA
	Voltage input	approx. 1 Mohm
Overload capacity	Current input	≤ 300 mA
	Voltage input	Suppressor diode 30 V, max. 20 mA

Output

Outputs	0 ... 20 mA, 4 ... 20 mA, 0 ... 10 V calibrated switching	
Load	Output current	≤ 10 V (500 ohms at 20 mA)
	Output voltage	≤ 10 mA (1 kohm at 10 V)
Residual ripple	< 20 mV _{rms}	

Transmission behavior

Gain error	< 0.3 % full scale (DC)	
Cutoff frequency	> 100 Hz	
Temperature coefficient ¹⁾	0.015 %/K full scale	

Power supply

Power supply	24 V DC (± 15%); 1 W 100 ... 230 V AC (± 10%), 48 ... 62 Hz, 2 VA	
--------------	--	--

Isolation

Galvanic isolation	3-port isolation between input, output and power supply	
Test voltage	1.5 kV AC	
Working voltage	300 V AC/DC (basic insulation) with overvoltage category II / pollution degree 2 according to EN 61010-1.	

Standards and approvals

Conformity	CE compliant	
EMC ²⁾	Product family standard: EN 61326	
Approval	UL Listed, File No. E340287, Standard: UL 61010-1 and CAN/CSA C22.2 No. 61010-1	

Further data

Ambient conditions	Stationary operation, weatherproof, relative humidity 5 ... 95 %, no condensation, max. altitude 2000 m, water or wind-driven precipitation (rain, hail, snow) excluded	
Ambient temperature	Operation: 0 ... +55 °C Transport, storage: -25 ... +85 °C	
Housing	Modular housing, screw terminals, IP 20 protection	
Mounting	35-mm mounting rail, EN 60715	
Dimensions	12.5 mm x 111 mm x 99 mm	
Wire cross-section	Max. 2.5 mm ² , 24-14 AWG	
Weight	Approx. 150 g	

1) Average TC in specified operating temperature range, reference temperature 23 °C

2) Slight deviations are possible while there is interference

По вопросам продаж и поддержки обращайтесь:

Архангельск (8182)63-90-72
Астана +7(7172)727-132
Астрахань (8512)99-46-04
Барнаул (3852)73-04-60
Белгород (4722)40-23-64
Брянск (4832)59-03-52
Владивосток (423)249-28-31
Волгоград (844)278-03-48
Вологда (8172)26-41-59
Воронеж (473)204-51-73
Екатеринбург (343)384-55-89
Иваново (4932)77-34-06
Ижевск (3412)26-03-58
Иркутск (395) 279-98-46
Киргизия (996)312-96-26-47

Казань (843)206-01-48
Калининград (4012)72-03-81
Калуга (4842)92-23-67
Кемерово (3842)65-04-62
Киров (8332)68-02-04
Краснодар (861)203-40-90
Красноярск (391)204-63-61
Курск (4712)77-13-04
Липецк (4742)52-20-81
Магнитогорск (3519)55-03-13
Москва (495)268-04-70
Мурманск (8152)59-64-93
Набережные Челны (8552)20-53-41
Нижний Новгород (831)429-08-12
Казахстан (772)734-952-31

Новокузнецк (3843)20-46-81
Новосибирск (383)227-86-73
Омск (3812)21-46-40
Орел (4862)44-53-42
Оренбург (3532)37-68-04
Пенза (8412)22-31-16
Пермь (342)205-81-47
Ростов-на-Дону (863)308-18-15
Рязань (4912)46-61-64
Самара (846)206-03-16
Санкт-Петербург (812)309-46-40
Саратов (845)249-38-78
Севастополь (8692)22-31-93
Симферополь (3652)67-13-56
Таджикистан (992)427-82-92-69

Смоленск (4812)29-41-54
Сочи (862)225-72-31
Ставрополь (8652)20-65-13
Сургут (3462)77-98-35
Тверь (4822)63-31-35
Томск (3822)98-41-53
Тула (4872)74-02-29
Тюмень (3452)66-21-18
Ульяновск (8422)24-23-59
Уфа (347)229-48-12
Хабаровск (4212)92-98-04
Челябинск (351)202-03-61
Череповец (8202)49-02-64
Ярославль (4852)69-52-93

Эл. почта kci@nt-rt.ru || Сайт: <http://knick.nt-rt.ru>