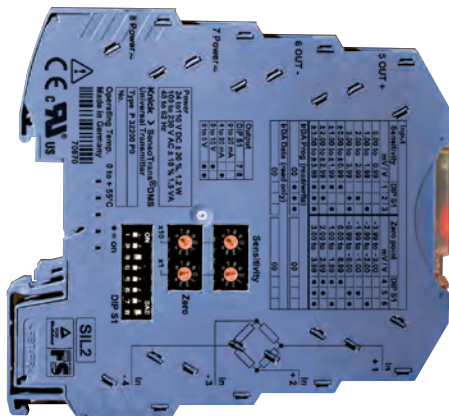


## SensoTrans DMS P 32200

The transmitters for strain gauge full bridges – in a 6 mm housing with infrared interface and SIL approval.



### The Task

In many different industrial applications strain gauges are used to continuously measure mechanical quantities such as force/weight or deflection/torsion. In many cases they are used as a reference input for monitoring systems, safety shutdown systems, or for similar critical tasks. As a rule, high demands are placed on accuracy, flexibility and functional safety as well as electrical safety.

Strain gauges are highly sensitive resistors which react to mechanical stress with a slight change in resistance. These changes can be detected by a bridge circuit. The most common circuit design is the full bridge. In force transducers and load cells, the strain gauges are already mechanically applied in full bridge circuits. These sensors provide a raw signal which is prepared and standardized for further processing using a strain gauge transmitter.

### The Problem

Customary strain gauge sensors have individual characteristics, which requires tedious and time-consuming adjustment of the respective strain gauge transmitter using potentiometers. Furthermore, strain gauge transmitters up to now had a very wide modular housing and therefore occupied a large amount of space in the enclosure. For world-wide applications, several versions with different supply voltages were often used.

### The Solution

The universal SensoTrans DMS P 32200 strain gauge transmitters provide connection possibilities for all standard strain gauge force transducers and strain gauge load cells in full bridge configuration. They can be flexibly adapted to the respective measuring task using DIP and rotary encoder switches or via an IrDA interface.

3-port isolation with protective separation up to 300 V AC/DC according to EN 61140 ensures optimum protection of personnel and equipment as well as unaltered transmission of measuring signals. The SensoTrans DMS P 32200 offer maximum performance in the smallest of spaces. Adjusting the zero point and sensitivity to the individual strain gauge sensor is particularly convenient via the infrared port, for example using a PDA. Sensors with known characteristics can be very easily calibrated using four rotary encoder switches and eight DIP switches.

Special measuring tasks can be solved with SensoTrans devices which Knick configures according to individual specifications. Fixed-range devices without switch are used, for example, when manipulations or mix-ups must be precluded.

Knick offers the SensoTrans DMS P 32200 transmitter with SIL approval for applications with high demands on functional safety. The requirements of EN 61508 were implemented through specially developed hardware and software. The implemented fail-safe concept makes use of structural measures at the device level (redundancy of system components) and diagnostic methods for selective fault detection. The product is SIL 2 approved (EN 61508) by an authorized body (TÜV Rheinland).

# SensoTrans DMS P 32200



## Operating Software

The user-friendly, menu-guided Paraly SW 111 communication software runs on standard and pocket PCs and opens a number of further options such as input of customer-specific linearization curves, readout of the connection configuration, as well as the use of extensive diagnostic functions. Configuration, documentation and, if necessary, maintenance of entire plant components can be accomplished by “infrared remote control”. Moreover, the output current or voltage can be specified independently of the input value using the simulation function – a useful feature for plant commissioning or revision.

## The Housing

The modular housing – 6 mm slim – is stingy with enclosure space and allows for high component densities. DIN rail bus connectors inserted in the mounting rail facilitate the power supply connection if necessary.

IrDA is a registered trademark of the Infrared Data Association.



## Facts and Features

- **Universal usability**  
for strain gauges, pressure and load cells, and other resistive measuring bridges
- **Convenient parameter setting**  
via IrDA port – uncomplicated, menu-guided adjustment also “on site” including archiving of configuration data
- **Intuitive configuration**  
of basic parameters – easy, without tools, using 4 rotary and 8 DIP switches
- **Calibrated range selection**  
without complicated trimming
- **Easy adjustment**  
zero point and sensitivity adjustable via IrDA port
- **Simulation**  
of any desired output values for correct installation/commissioning
- **Protective separation**  
according to EN 61140 – protection of the maintenance staff and downstream devices against excessively high voltages up to 300 V AC/DC
- **Functional safety**  
up to SIL 2 (up to SIL 3 in the case of redundant configuration) with TÜV certificate – systematically developed according to EN 61508
- **High accuracy**  
with innovative switching concept
- **Minimum space requirement**  
in the enclosure – only 6 mm wide modular housing – more transmitters per meter of mounting rail
- **Low-cost assembly**  
quick mounting, convenient, connection of power supply via DIN rail bus connectors
- **5-year warranty**



**Product Line**

**SensoTrans DMS P 32200, adjustable**

| Order no.                    | P 32200 P0 /  | <input type="checkbox"/> <input type="checkbox"/> |
|------------------------------|---|---|
| Functional safety (EN 61508) | Without<br>SIL 2 (up to SIL 3 in the case of redundant configuration) | 0<br>1  |
| Power supply                 | 24 V DC via screw terminals or DIN rail bus connector                 | 0   |

**SensoTrans DMS P 32200, fixed setting**

| Order no.   | P 32200 P0 /  | <input type="checkbox"/> <input type="checkbox"/> <input type="checkbox"/> <input type="checkbox"/> <input type="checkbox"/> <input type="checkbox"/> |
|---|---|---|
| Functional safety (EN 61508)  | Without<br>SIL 2 (up to SIL 3 in the case of redundant configuration) | 0<br>1  |
| Power supply  | 24 V DC via screw terminals or DIN rail bus connector                 | 0   |
| Customer-specific settings (e.g., cutoff frequency, zero point/sensitivity) | As specified  | n n n n   |

**Accessories**

|                                   |   | Order no.  |
|-----------------------------------|---|------------|
| Paraly SW 111                     | Communication software  | SW 111     |
| ZU 0628<br>DIN rail bus connector | Power supply bridging for two isolators, A 20XXX P0 or P 32XXX P0               | ZU 0628    |
| IsoPower A 20900                  | Power supply unit 24 V DC, 1 A  | A 20900 H4 |
| ZU 0678<br>DIN rail bus connector | Tapping of supply voltage (A 20900), routing to ZU 0628 DIN rail bus connector  | ZU 0678    |
| ZU 0677 power terminal block      | For connecting the 24 V DC supply voltage to the ZU 0628 DIN rail bus connector | ZU 0677    |

# SensoTrans DMS P 32200

## Specifications

### Strain gauge input data

|                                      |  |
|--------------------------------------|--|
| Input                                | $\pm 7.5 \text{ mV/V}$   |
| Bridge resistance                    | 200 ohms ... 10 kohms  |
| Zero adjustment                      | Within the input range   |
| Supply current (int. supply)         | 0 ... 5 mA   |
| Supply voltage (ext. supply)         | 1 ... 2.8 V  |
| Input error limits                   | $\pm (2 \mu\text{V/V} + 0.1 \% \text{ meas.val.})$ for spans $\geq 0.5 \text{ mV/V}$                                 |
| Line monitoring                      | Short circuit or open circuit  |
| Temperature coefficient at the input | $< 50 \text{ ppm/K}$ of adjusted sensitivity<br>(average TC in allowable operating temp range, reference temp 23 °C) |
| Overload capacity                    | 5 V across all inputs  |

### Output data

|                                       |  |
|---------------------------------------|--|
| Outputs                               | 0 ... 20 mA, calibrated switching<br>4 ... 20 mA, (default setting 4 ... 20 mA)<br>0 ... 5 V,<br>0 ... 10 V  |
| Control range                         | 0 ... approx. 102.5 % of span at 0 ... 20 mA, 0 ... 10 V or 0 ... 5 V output<br>-1.25 ... approx. 102.5 % of span at 4 ... 20 mA output  |
| Resolution                            | 16 bit   |
| Simulation mode adjustable via IrDA   | 0 ... 20 mA current output: 0 ... 21 mA<br>4 ... 20 mA current output: 3 ... 21 mA<br>0 ... 5 V voltage output: 0 ... 5.25 V<br>0 ... 10 V voltage output: 0 ... 10.5 V  |
| Load                                  | Current output: $\leq 10 \text{ V}$ ( $\leq 500 \text{ ohms}$ at 20 mA)<br>Voltage output: $\leq 1 \text{ mA}$ ( $\geq 10 \text{ kohms}$ at 10 V)  |
| Output error limits                   | Current output: $\pm (10 \mu\text{A} + 0.05 \% \text{ meas. val.})$<br>Voltage output: $\pm (5 \text{ mV} + 0.05 \% \text{ meas. val.})$   |
| Residual ripple                       | $< 10 \text{ mV}_{\text{rms}}$   |
| Temperature coefficient at the output | $< 50 \text{ ppm/K}$ full scale<br>(average TC in allowable operating temperature range, reference temperature 23 °C)  |
| Error signaling                       | 0 ... 20 mA output: $I = 0 \text{ mA}$ or $\geq 21 \text{ mA}$<br>4 ... 20 mA output: $I \leq 3.6 \text{ mA}$ or $\geq 21 \text{ mA}$<br>0 ... 5 V or 0 ... 10 V output: $V = 0 \text{ V}$ or $V \geq 5.25 \text{ V}$ or $V \geq 10.5 \text{ V}$<br>via output signal, red LED and IrDA for out-of-range conditions, incorrect parameter setting, sensor short circuit and line break, output load error, accidental changing of the switch settings during operation (only for SIL devices), other device errors. See also "Error Signaling" table. |

### Response

|                |   |
|----------------|---|
| Characteristic | Rising / falling linearly;<br>configurable characteristic curves using interpolation points (via IrDA port) |
| Measuring rate | Approx. 3/s   |

**Specifications** *(continued)*

**Display**

Green LED

Power supply

Yellow LED

Signaling the connection type  
IrDA communication

Red LED

Maintenance request/device failure

**Power supply**

Power supply

24 V DC (-20 %, +25 %), approx. 1.2 W  
The power supply can be routed from one device to another via DIN rail bus connectors.

**Isolation**

Galvanic isolation

3-port isolation between input, output, and power supply

Test voltage

2.5 kV AC, 50 Hz: power supply against input against output

Working voltage (basic insulation)

Up to 300 V AC/DC across all circuits with overvoltage category II and pollution degree 2 according to EN 61010-1.  
For applications with high working voltages, take measures to prevent accidental contact and make sure that there is sufficient distance or insulation between adjacent devices.

Protection against electric shock

Protective separation to EN 61140 by reinforced insulation according to EN 61010-1.  
Working voltage up to 300 V AC/DC across all circuits with overvoltage category II and pollution degree 2.  
For applications with high working voltages, take measures to prevent accidental contact and make sure that there is sufficient distance or insulation between adjacent devices.

**Standards and approvals**

Functional safety

SIL 2 according to IEC 61508, SIL 3 with redundant configuration

EMC

Product family standard: EN 61326  
Emitted interference: Class B  
Immunity to interference<sup>1)</sup>: Industrial environment  
EMC requirements for devices with safety related functions  
IEC 61326-3: Draft

cURus

File no. 220033  
Standards: UL 508 and CAN/CSA 22.2 No. 14-95

RoHS conformity

According to directive 2011/65/EU

**Interfaces**

IrDA

Specification 1.1, slave device for bidirectional communication  
Paraly SW 111 communication software  
Free download at [www.knick.de](http://www.knick.de)

# SensoTrans DMS P 32200

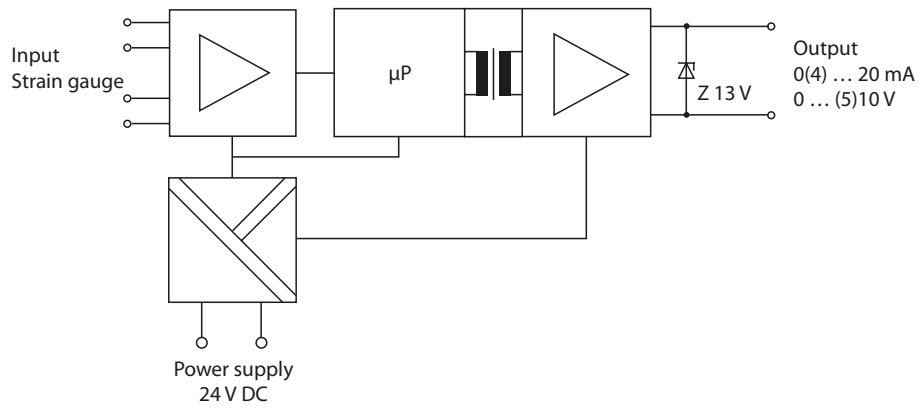
## Specifications (continued)

### Further data

|                     |   |
|---------------------|---|
| Ambient temperature | <p>Operation: 0 ... +55 °C mounted without gaps<br/>0 ... +65 °C with gaps <math>\geq</math> 6 mm</p> <p>Storage: -25 ... +85 °C</p>  |
| Ambient conditions  | <p>Stationary, weather-protected operation</p> <p>Relative humidity: 5 ... 95 %, no condensation</p> <p>Barometric pressure: 70 ... 106 kPa</p> <p>Water or wind-driven precipitation (rain, snow, hail, etc.) excluded</p> |
| Design              | <p>Modular housing with screw terminals, 6.2 mm wide</p> <p>See dimension drawings for further measurements</p>   |
| Tightening torque   | 0.6 Nm  |
| Ingress protection  | Terminals IP 20, housing IP 40  |
| Mounting            | For 35 mm DIN rail acc. to EN 60715   |
| Connection          | <p>Conductor cross sections</p> <p>Single wire            0.2 ... 2.5 mm<sup>2</sup></p> <p>Stranded wire:        0.2 ... 2.5 mm<sup>2</sup></p> <p>24-14 AWG</p>   |
| Weight              | Approx. 60 g  |

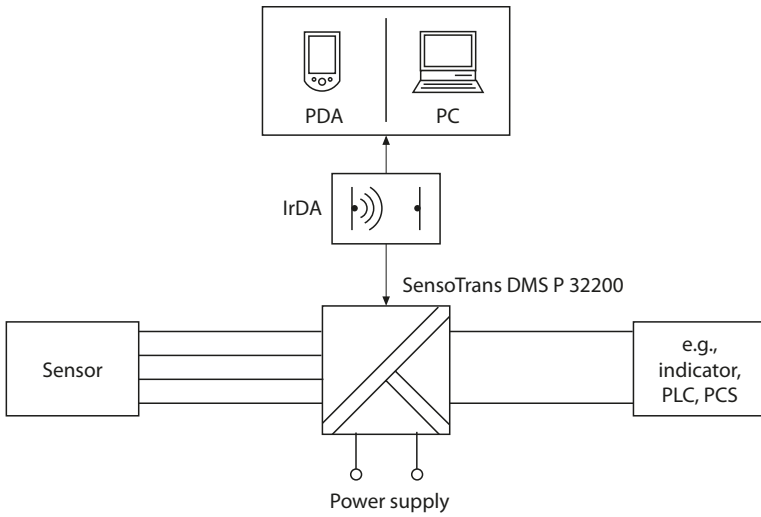
<sup>1)</sup> Slight deviations are possible while there is interference

**Block Diagram**



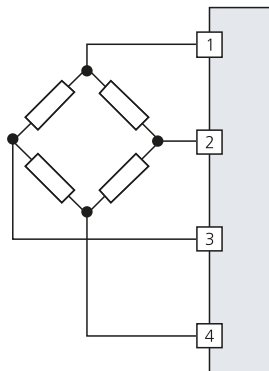
# SensoTrans DMS P 32200

## Typical Applications

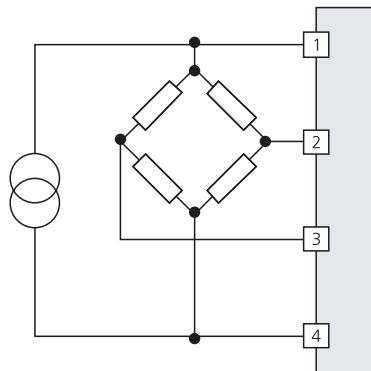


## Connection of Strain Gauges

4-wire connection

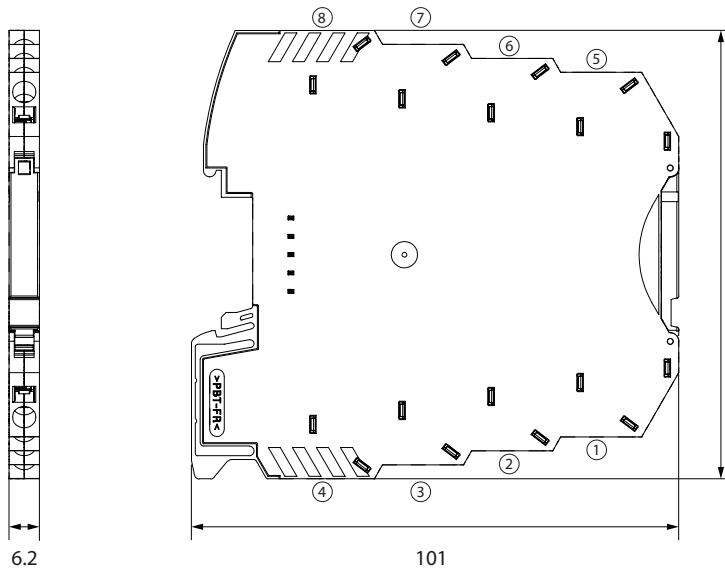


6-wire connection  
(with external supply 1 ... 3 V)





**Dimension Drawing and Terminal Assignments**



**Terminal assignments**

- 1 Input +
- 2 Input +
- 3 Input -
- 4 Input -
- 5 Output +
- 6 Output -
- 7 Power supply AC/DC
- 8 Power supply AC/DC

Conductor cross-section:  
 single wire 0.2 ... 2.5 mm<sup>2</sup>  
 stranded wire 0.2 ... 2.5 mm<sup>2</sup>  
 24-14 AWG

# SensoTrans DMS P 32200

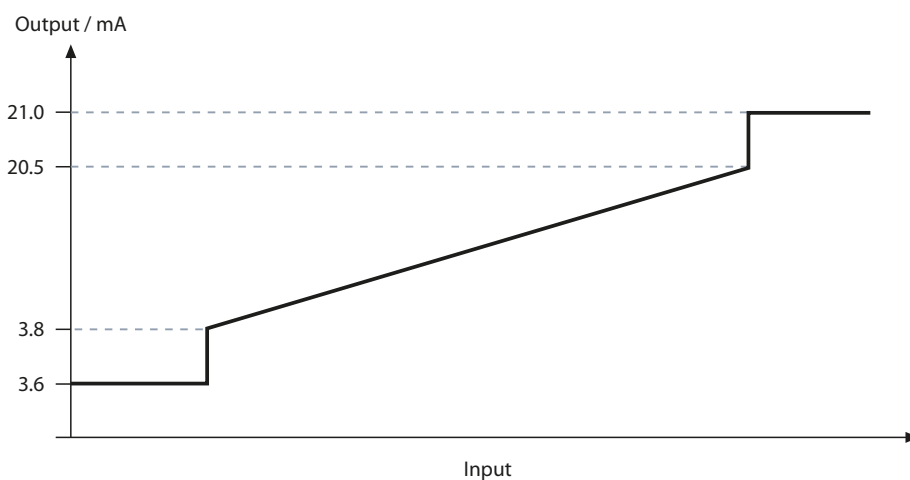
## Error Signaling

| No. | Error   | Signal configuration <sup>1)</sup> |                      | Output        |               |             |              |
|-----|---|------------------------------------|----------------------|---------------|---------------|-------------|--------------|
|     |   | With SIL function                  | Without SIL function | 4 ... 20 [mA] | 0 ... 20 [mA] | 0 ... 5 [V] | 0 ... 10 [V] |
| 0   | None  | Not self-locking                   | Not self-locking     | –             | –             | –           | –            |
| 1   | Underrange  | Not self-locking                   | Not self-locking     | 3.6           | 0             | 0           | 0            |
| 2   | Overrange   | Not self-locking                   | Not self-locking     | 21            | 21            | 5.25        | 10.5         |
| 3   | Sensor short circuit  | Self-locking                       | Not self-locking     | 21            | 21            | 5.25        | 10.5         |
| 4   | Sensor open   | Self-locking                       | Not self-locking     | 21            | 21            | 5.25        | 10.5         |
| 5   | Resistance error  | Self-locking                       | Not self-locking     | 21            | 21            | 5.25        | 10.5         |
| 6   | Output load error <sup>2)</sup>                                       | Not self-locking                   | Not self-locking     | 3.6           | 0             | 0           | 0            |
| 7   | Identification of connection  | Self-locking                       | Not self-locking     | 21            | 21            | 5.25        | 10.5         |
| 8   | Switch misadjusted  | Self-locking                       | Not self-locking     | 21            | 21            | 5.25        | 10.5         |
| 9   | Adjustment error  | Self-locking                       | Not self-locking     | 21            | 21            | 5.25        | 10.5         |
| 10  | Device error (subordinated error number differentiated via IrDA port) | Self-locking                       | Self-locking         | 3.6           | 0             | 0           | 0            |

<sup>1)</sup> With the "self-locking" configuration, the error signal is maintained after termination of the error cause. The error message can be reset through a restart (power supply on/off or via IrDA port).

<sup>2)</sup> With SIL models P 32200 P0/1x only

## Response of the Output Current (4 ... 20 mA) to Out-of-Range Conditions



### По вопросам продаж и поддержки обращайтесь:

Архангельск (8182)63-90-72  
 Астана +7(7172)727-132  
 Астрахань (8512)99-46-04  
 Барнаул (3852)73-04-60  
 Белгород (4722)40-23-64  
 Брянск (4832)59-03-52  
 Владивосток (423)249-28-31  
 Волгоград (844)278-03-48  
 Вологда (8172)26-41-59  
 Воронеж (473)204-51-73  
 Екатеринбург (343)384-55-89  
 Иваново (4932)77-34-06  
 Ижевск (3412)26-03-58  
 Иркутск (395) 279-98-46  
 Киргизия (996)312-96-26-47

Казань (843)206-01-48  
 Калининград (4012)72-03-81  
 Калуга (4842)92-23-67  
 Кемерово (3842)65-04-62  
 Киров (8332)68-02-04  
 Краснодар (861)203-40-90  
 Красноярск (391)204-63-61  
 Курск (4712)77-13-04  
 Липецк (4742)52-20-81  
 Магнитогорск (3519)55-03-13  
 Москва (495)268-04-70  
 Мурманск (8152)59-64-93  
 Набережные Челны (8552)20-53-41  
 Нижний Новгород (831)429-08-12  
 Казахстан (772)734-952-31

Новокузнецк (3843)20-46-81  
 Новосибирск (383)227-86-73  
 Омск (3812)21-46-40  
 Орел (4862)44-53-42  
 Оренбург (3532)37-68-04  
 Пенза (8412)22-31-16  
 Пермь (342)205-81-47  
 Ростов-на-Дону (863)308-18-15  
 Рязань (4912)46-61-64  
 Самара (846)206-03-16  
 Санкт-Петербург (812)309-46-40  
 Саратов (845)249-38-78  
 Севастополь (8692)22-31-93  
 Симферополь (3652)67-13-56  
 Таджикистан (992)427-82-92-69

Смоленск (4812)29-41-54  
 Сочи (862)225-72-31  
 Ставрополь (8652)20-65-13  
 Сургут (3462)77-98-35  
 Тверь (4822)63-31-35  
 Томск (3822)98-41-53  
 Тула (4872)74-02-29  
 Тюмень (3452)66-21-18  
 Ульяновск (8422)24-23-59  
 Уфа (347)229-48-12  
 Хабаровск (4212)92-98-04  
 Челябинск (351)202-03-61  
 Череповец (8202)49-02-64  
 Ярославль (4852)69-52-93