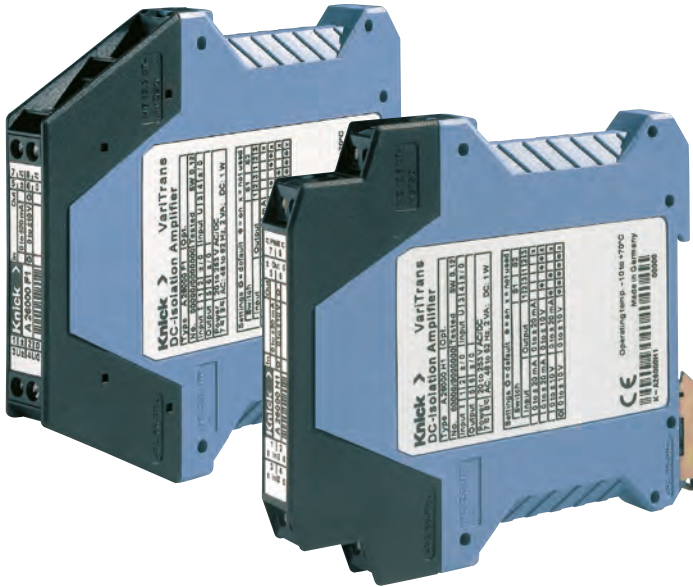


## VariTrans A 26000

The specialist for  $\pm 10\text{ V}$  and  $\pm 20\text{ mA}$ .

With calibrated range selection and broad-range power supply.



### The Task

Transmission and conversion of bipolar standard  $0 \dots \pm 20\text{ mA}$  and  $0 \dots \pm 10\text{ V}$  signals frequently used in industry, e.g., for speed monitoring with tachogenerators.

### The Problems

Measuring errors occur due to potential differences when bipolar measuring signals are transmitted. In addition, the signal matching previously required calibration of the isolators.

### The Solution

Knick provides a tailor-made solution. Thanks to the calibrated selection of the input and output parameters using DIP switches, VariTrans A 26000 universal signal conditioners can be used without complicated readjustment. The broad-range power supply for all common supply voltages from 20 to 253 V AC/DC offers maximum flexibility.

### The Housing

At a width of just 12.5 mm, the modular housing with pluggable screw terminals allows for simple and fast assembly and pre-wiring of enclosures. Housings with fixed screw terminals are also available for extremely high mechanical loads. The easy-to-open housing allows for simple configuration of the input and output ranges and provides good protection against contact and unintentional adjustment.

### The Advantages

Analog transmission of the measurement signal with transformer-based isolation and the digitally controlled range selection guarantee excellent signal transmission:

- Gain error only 0.1 %
- Excellent pulse formation
- Extremely low residual ripple
- Maximum long-term stability and reliability

### The Technology

A microcontroller monitors the control element settings and controls the calibrated range selection. Interference with the signal transmission – due to contact resistance in the range switch, for example – is ruled out in this manner.

Thanks to the VariPower power supplies, the devices can be used internationally with virtually all supply voltages. The extremely low power consumption and the related minimal self-heating significantly increase reliability. The result: a 5-year warranty.

# VariTrans A 26000

## Facts and Features

- **Flexible and extremely precise**  
Calibrated range selection without complicated readjustments
- **Broad-range power supply**  
VariPower 20 ... 253 V AC/DC
- **Compact design**  
12.5 mm modular housing;  
up to 80 active isolators per meter of mounting rail
- **Quick and easy configuration**  
Housing can be easily opened
- **Pluggable screw terminals**  
Simple, time-saving assembly and rewiring of enclosures
- **3-port separation**  
Protection against incorrect measurements or damage
- **Maximum accuracy**
- **Specific test report**  
Following EN 10204 2.2
- **Protective separation**  
according to EN 61140 protects against unpermitted high voltages
- **Maximum reliability**  
No repair and failure costs
- **5-year warranty**



**Product Line**

Device	Input	Output	Order no.	Order no.
			with pluggable screw terminal	with fixed screw terminal
VariTrans A 26000 with calibrated switching of input and output	0 ... ±20 mA	0 ... ±20 mA	<b>A 26000 H1</b>	<b>A 26000 F1</b>
	0 ... ±10 V	0 ... ±10 V		
VariTrans A 26000 with fixed settings	0 ... ±20 mA	0 ... ±20 mA	<b>A 26016 H1</b>	<b>A 26016 F1</b>
	0 ... ±20 mA	0 ... ±10 V	<b>A 26018 H1</b>	<b>A 26018 F1</b>
	0 ... ±10 V	0 ... ±20 mA	<b>A 26036 H1</b>	<b>A 26036 F1</b>
	0 ... ±10 V	0 ... ±10 V	<b>A 26038 H1</b>	<b>A 26038 F1</b>

Power supply

20 ... 253 V AC/DC

**Specifications**

**Input data**

Inputs	0 ... ±20 mA 0 ... ±10 V	terminal selectable / switchable (default setting ±10 V) or fixed setting (see product line)
Input resistance	Current input Voltage input	voltage drop approx. 250 mV at 20 mA approx. 1 Mohm
Overload capacity	Current input Voltage input	≤300 mA voltage limiting to 30 V by suppressor diode, max. allowable continuous current: 30 mA

**Output data**

Outputs	0 ... ±20 mA 0 ... ±10 V	terminal selectable / switchable (default setting ±10 V) or fixed setting (see product line)
Load	With output current With output voltage	≤ 10 V (500 ohms at 20 mA) ≤ 10 mA (1 kohm at 10 V) <sup>1)</sup>
Offset	20 µA or 10 mV	
Residual ripple	< 10 mV <sub>rms</sub>	

**Transmission behavior**

Gain error	< 0.1 % meas.val. (DC)
Cutoff frequency	> 5 kHz, -3 dB
Temperature coefficient <sup>2)</sup>	0.0075 %/K full scale (reference temp. 23 °C)
Response time T <sub>90</sub>	Approx. 140 µs

# VariTrans A 26000

## Specifications (continued)

### Power supply

Power supply	20 ... 253 V AC/DC	AC 48 ... 62 Hz, approx. 2 VA DC approx. 0.9 W
--------------	--------------------	---

### Isolation

Galvanic isolation	3-port isolation between input, output, and power supply	
Test voltage	4 kV AC input against output against power supply	
Working voltage (basic insulation)	1000 V AC/DC with overvoltage category II and pollution degree 2 according to EN 61010-1. For applications with high working voltages, take measures to prevent accidental contact and make sure that there is sufficient distance or insulation between adjacent devices.	
Protection against electric shock	Protective separation to EN 61140 by reinforced insulation according to EN 61010-1. Working voltages up to 300 V AC/DC across input and output and power supply with overvoltage category II and pollution degree 2. For applications with high working voltages, take measures to prevent accidental contact and make sure that there is sufficient distance or insulation between adjacent devices.	

### Standards and approvals

Surge withstand	5 kV, 1.2/50 µs, according to IEC 255-4	
EMC <sup>3)</sup>	EN 61326-1	
Approvals	CUL:	File-No. E216767, Standards UL 61010-1, CSA-C 22.2-95, No. 10101-1
	GL:	No. 14593-99 HH
RoHS conformity	According to directive 2011/65/EU	

### Further data

MTBF <sup>4)</sup>	Approx. 91 years	
Ambient temperature	Operation:	-10 ... +70 °C
	Transport and storage:	-40 ... +85 °C
Ambient conditions	Indoor use <sup>5)</sup> ; relative humidity 5 ... 95 %, no condensation; max. altitude 2000 m (air pressure: 790 ... 1060 hPa) <sup>6)</sup>	
Design	Modular housing, 12.5 mm wide, see dimension drawings for further measurements, pluggable screw terminals: Type H1; fixed screw terminals: Type F1 Connection: pluggable screw terminals H1; fixed screw terminals F1 Conductor cross section max. 2.5 mm <sup>2</sup> ; Multi-wire connection max. 1 mm <sup>2</sup> (two wires with equal diameters)	
Tightening torque	0.7 Nm	
Ingress protection	IP 20	
Mounting	Metal interlock to attach to 35 mm DIN rail according to EN 60715	
Weight	Approx. 150 g	

<sup>1)</sup> Higher output load upon request

<sup>2)</sup> Average TC in the specified operating temperature range -10 °C ... +70 °C

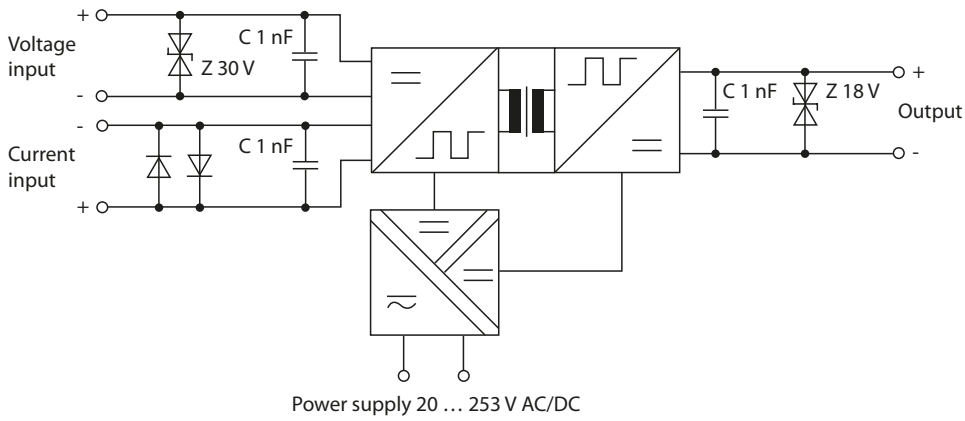
<sup>3)</sup> Slight deviations are possible while there is interference

<sup>4)</sup> Mean time between failures – MTBF – according to EN 61709 (SN 29500). Conditions: stationary operation in well-kept rooms, average ambient temperature 40 °C, no ventilation, continuous operation

<sup>5)</sup> Closed, weather-protected operating areas (stationary operation), water or wind-driven precipitation (rain, snow, hail, etc.) excluded

<sup>6)</sup> Lower air pressure reduces the allowable working voltages.

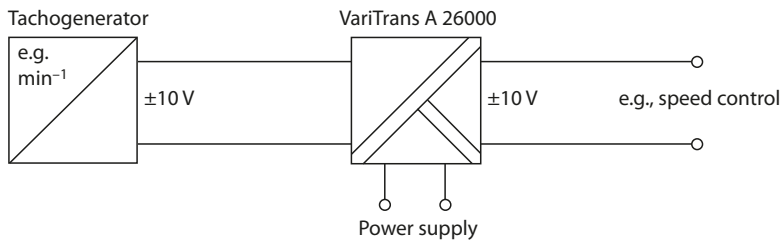
**Block Diagram**



**Typical Applications**

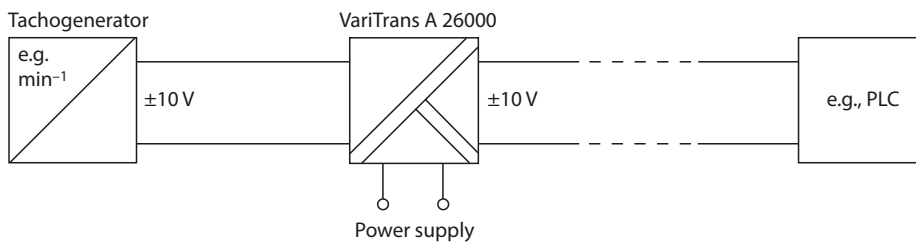
**Potential isolation**

for safe connection of the measurement signals to the processing electronics



**Signal conversion**

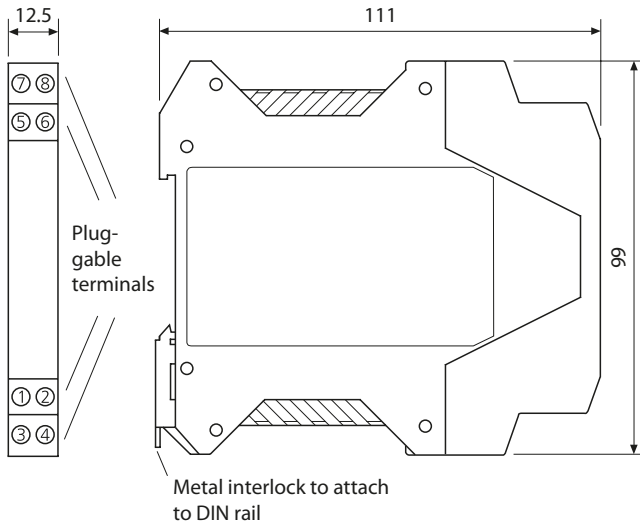
for converting voltage signals to current signals, e.g., for interference-free signal transmission over long distances



# VariTrans A 26000

## Dimension Drawings and Terminal Assignments

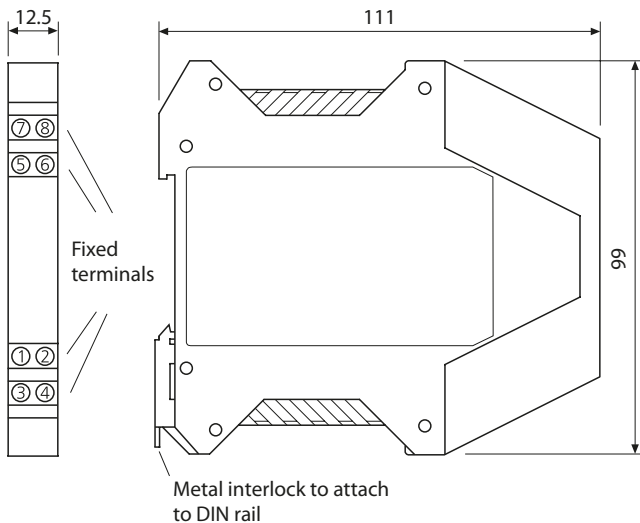
### Housing with pluggable screw terminals



### Terminal assignments

1	Input +	Current
2	Input -	Current
3	Input +	Voltage
4	Input -	Voltage
5	Output	+
6	Output	-
7	Power supply	AC/DC
8	Power supply	AC/DC

### Housing with fixed screw terminals



Conductor cross section max. 2.5 mm<sup>2</sup>

Multi-wire connection max. 1 mm<sup>2</sup>  
(two wires with equal diameters)

Архангельск (8182)63-90-72  
Астана +7(7172)727-132  
Астрахань (8512)99-46-04  
Барнаул (3852)73-04-60  
Белгород (4722)40-23-64  
Брянск (4832)59-03-52  
Владивосток (423)249-28-31  
Волгоград (844)278-03-48  
Вологда (8172)26-41-59  
Воронеж (473)204-51-73  
Екатеринбург (343)384-55-89  
Иваново (4932)77-34-06  
Ижевск (3412)26-03-58  
Иркутск (395) 279-98-46  
Киргизия (996)312-96-26-47

Казань (843)206-01-48  
Калининград (4012)72-03-81  
Калуга (4842)92-23-67  
Кемерово (3842)65-04-62  
Киров (8332)68-02-04  
Краснодар (861)203-40-90  
Красноярск (391)204-63-61  
Курск (4712)77-13-04  
Липецк (4742)52-20-81  
Магнитогорск (3519)55-03-13  
Москва (495)268-04-70  
Мурманск (8152)59-64-93  
Набережные Челны (8552)20-53-41  
Нижегород (831)429-08-12  
Казахстан (772)734-952-31

Новокузнецк (3843)20-46-81  
Новосибирск (383)227-86-73  
Омск (3812)21-46-40  
Орел (4862)44-53-42  
Оренбург (3532)37-68-04  
Пермь (342)205-81-47  
Ростов-на-Дону (863)308-18-15  
Рязань (4912)46-61-64  
Самара (846)206-03-16  
Санкт-Петербург (812)309-46-40  
Саратов (845)249-38-78  
Севастополь (8692)22-31-93  
Симферополь (3652)67-13-56  
Таджикистан (992)427-82-92-69

Смоленск (4812)29-41-54  
Сочи (862)225-72-31  
Ставрополь (8652)20-65-13  
Сургут (3462)77-98-35  
Тверь (4822)63-31-35  
Томск (3822)98-41-53  
Тула (4872)74-02-29  
Тюмень (3452)66-21-18  
Ульяновск (8422)24-23-59  
Уфа (347)229-48-12  
Хабаровск (4212)92-98-04  
Челябинск (351)202-03-61  
Череповец (8202)49-02-64  
Ярославль (4852)69-52-93