

SE 560 Memosens pH Sensor

For low-conductivity media or low temperatures, refillable liquid electrolyte

Precise measurements due to self-cleaning platinum junction with high outflow of electrolyte even for media of very low conductivity. Measurements at low temperatures possible.

Applications

Low-temperature applications, cooling brine, electroplating, low-conductivity media

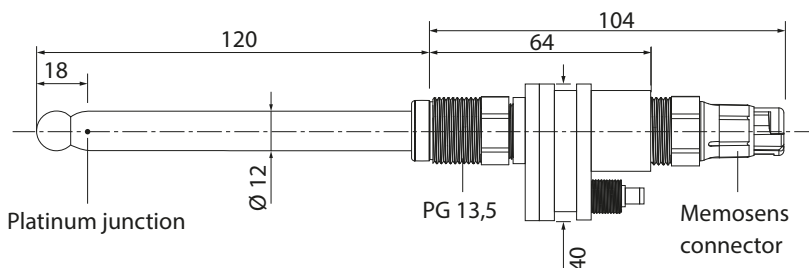
Facts

- Precise measurement under difficult conditions (low conductivity, contaminations)
- Measurement at low temperatures
- Perfect galvanic isolation thanks to Memosens technology
- No influence of humidity in the connector
- Precalibration in the lab
- Digital data transfer
- Integrated sensor diagnostics
- Integrated temperature detector
- Self-cleaning platinum junction
- Alpha glass, medium impedance, universal glass, fluoride resistant

Specifications

pH:	0 ... 14
Temperature:	-20 ... +100 °C
Pressure, relative:	-1 ... +3 bar
Temperature detector:	Pt1000
Sensor material:	Alpha glass
Reference system:	Ag/AgCl, liquid electrolyte, refillable
Junction:	Platinum
Immersion depth:	120 mm
Sensor connector:	Memosens
ATEX marking:	II 1 G Ex ia IIC T3/T4/T6
FM marking:	IS for Class I, Division 1, Groups A, B, C, D; Class I, Zone 0, AEx/Ex ia IIC T6 ... T4 NIFW for Class I, Division 2, Groups A, B, C, D; Class I, Zone 2, IIC T6 ... T4

Dimension Drawing



All dimensions in mm

SE 560 Memosens pH Sensor

Product Range

Sensor	Length	Order No.
SE 560 pH Sensor	120 mm	SE 560X/1-NMSN

Accessories	Length	Order No.
Memosens cable	3 m	CA/MS-003NAA
	5 m	CA/MS-005NAA
	10 m	CA/MS-010NAA
	20 m*)	CA/MS-020NAA
Memosens cable, Ex	3 m	CA/MS-003XAA
	5 m	CA/MS-005XAA
	10 m	CA/MS-010XAA
	20 m*)	CA/MS-020XAA

CaliMat Buffer Solutions (20 °C)	Quantity	Order No.
pH value 2,00 ± 0,02	250 ml	CS-P0200/250
	1000 ml	CS-P0200/1000
pH value 4,00 ± 0,02	250 ml	CS-P0400/250
	1000 ml	CS-P0400/1000
	3000 ml	CS-P0400/3000
pH value 7,00 ± 0,02	250 ml	CS-P0700/250
	1000 ml	CS-P0700/1000
	3000 ml	CS-P0700/3000
pH value 9,00 ± 0,02	250 ml	CS-P0900/250
	1000 ml	CS-P0900/1000
	3000 ml	CS-P0900/3000
pH value 12,00 ± 0,05	250 ml	CS-P1200/250
Electrolyte	250 ml	ZU 0958
Electrolyte reservoir		ZU 0321

MemoSuite		Order No.
Management software for Memosens sensors	Basic version (calibration)	SW-MS1400-B
	Advanced version (calibration, diagnostics, documentation)	SW-MS1400-A

*) Greater lengths on request

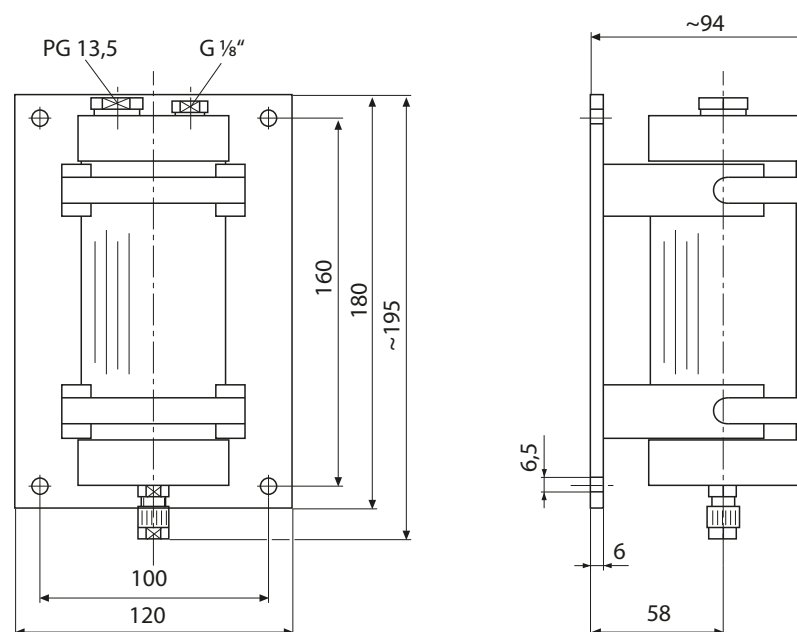
ZU 0321 Electrolyte Reservoir



Specifications

Material:	Hard PVC, transparent
Useful capacity:	300 ml
Pressure:	Unpressurized
Sensor locations:	1 x PG 13.5 for use as electrolytic key
Hose connection:	Coupling for 4/6 x 1 mm hose (5 m hose 4/6 x 1, PVC, and adapter for 10 mm hose clip, included in shipment)
Refill:	G 1/8" hole with screw plug
Assembly:	Wall holder

Dimension Drawing



All dimensions in mm

SE 560 Memosens pH Sensor

По вопросам продаж и поддержки обращайтесь:

Архангельск (8182)63-90-72	Казань (843)206-01-48	Новокузнецк (3843)20-46-81	Смоленск (4812)29-41-54
Астана +7(7172)727-132	Калининград (4012)72-03-81	Новосибирск (383)227-86-73	Сочи (862)225-72-31
Астрахань (8512)99-46-04	Калуга (4842)92-23-67	Омск (3812)21-46-40	Ставрополь (8652)20-65-13
Барнаул (3852)73-04-60	Кемерово (3842)65-04-62	Орел (4862)44-53-42	Сургут (3462)77-98-35
Белгород (4722)40-23-64	Киров (8332)68-02-04	Оренбург (3532)37-68-04	Тверь (4822)63-31-35
Брянск (4832)59-03-52	Краснодар (861)203-40-90	Пенза (8412)22-31-16	Томск (3822)98-41-53
Владивосток (423)249-28-31	Красноярск (391)204-63-61	Пермь (342)205-81-47	Тула (4872)74-02-29
Волгоград (844)278-03-48	Курск (4712)77-13-04	Ростов-на-Дону (863)308-18-15	Тюмень (3452)66-21-18
Вологда (8172)26-41-59	Липецк (4742)52-20-81	Рязань (4912)46-61-64	Ульяновск (8422)24-23-59
Воронеж (473)204-51-73	Магнитогорск (3519)55-03-13	Самара (846)206-03-16	Уфа (347)229-48-12
Екатеринбург (343)384-55-89	Москва (495)268-04-70	Санкт-Петербург (812)309-46-40	Хабаровск (4212)92-98-04
Иваново (4932)77-34-06	Мурманск (8152)59-64-93	Саратов (845)249-38-78	Челябинск (351)202-03-61
Ижевск (3412)26-03-58	Набережные Челны (8552)20-53-41	Севастополь (8692)22-31-93	Череповец (8202)49-02-64
Иркутск (395) 279-98-46	Нижний Новгород (831)429-08-12	Симферополь (3652)67-13-56	Ярославль (4852)69-52-93
Киргизия (996)312-96-26-47	Казахстан (772)734-952-31	Таджикистан (992)427-82-92-69	

Эл. почта kci@nt-rt.ru || Сайт: <http://knick.nt-rt.ru>